



The B17i is a compact installation subwoofer in a symmetrically vented enclosure, equipped with one 18" long excursion driver.

The fully symmetrical enclosure design enables identical performance with all set-up variations. Also directional sub arrays with partly reversed subwoofers are unrestrictedly possible in all combinations. Whether upright or crosswise, stacked on top of each other or side-by-side.

The B17i comes with i-series standard screw terminal connections at the rear with optional speakON™ and cable gland available. Four recessed M10 threads allow multiple mounting options via brackets or steel wires.

Key Features

- » Installation subwoofer in a compact, symmetrically vented enclosure
- » 18" long excursion chassis with 4" voice coil and 2400W program power capacity
- » 4 × M10 screw threads for mounting of swivel bracket and eyebolt
- » Equipped with i-series screw terminal; speakON™ and cable gland optional
- » Coherent phase response with all TWAUDIO subwoofers
- » Operation with dedicated TWAUDIO presets on Lab.gruppen PLM/D or Powersoft K/X series

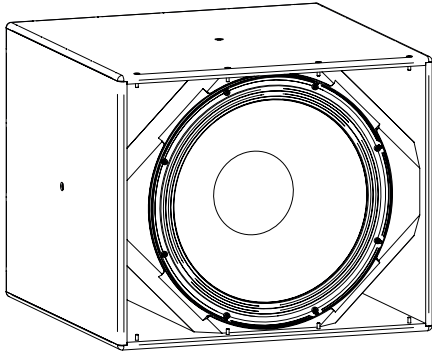
Applications

- » Clubs, bars, restaurants, theatres
- » Conference rooms or churches
- » TV studios

TWAUDIO® GmbH
Osterholzallee 140-1
71636 Ludwigsburg
Germany

Tel.: +49 7141 488989-0
Fax: +49 7141 488989-99
Mail: info@twaudio.com

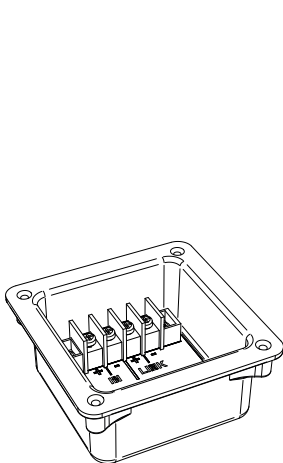
Technical Data



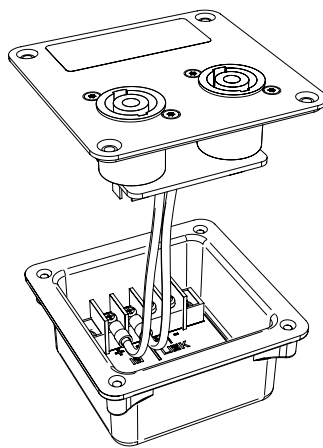
Drivers	1 × 18" LF
Frequency range	37 Hz - 110* Hz
Power capacity program/peak	2400/4800W
Impedance	8 Ω
Coverage	omni
Sensitivity 1 W / 1 m	96 dB
SPLmax / 1 m	132 dB
Connection	screw terminal IN± LINK±
Optional connections	speakON™ NL4 cable gland
Dimensions (H × W × D)	500 × 600 × 600 mm 19.7 × 23.6 × 23.6 in
Weight	34 kg 75 lbs
Finish	Warnex texture paint (RAL colors optional), polyurea coating (black) optional
Accessories	RSM10

* With dedicated presets a frequency of up to 200Hz can be achieved.

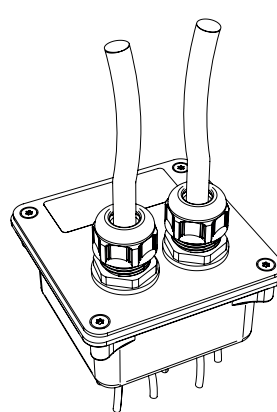
Connections



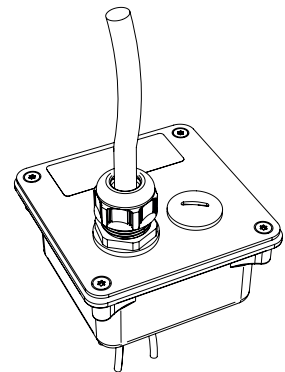
STANDARD SCREW TERMINAL



speakON™ - OPTION
SO sub #4704



CABLE GLAND - OPTION
CG #4324



Notes

Frequency range:

Loudspeaker measured with dedicated preset in full space, corner-frequencies are at -6 dB in relation to the average response which is within a tolerance of +/- 3 dB.
Corner-frequencies can be extended with additional EQ.

Sensitivity:

Sound pressure level the loudspeaker generates at 1 m distance to its frontgrille within its frequency bandwidth when applying 1 W in respect to its nominal impedance (2.83V into 8 Ohms) in full space.

Dispersion:

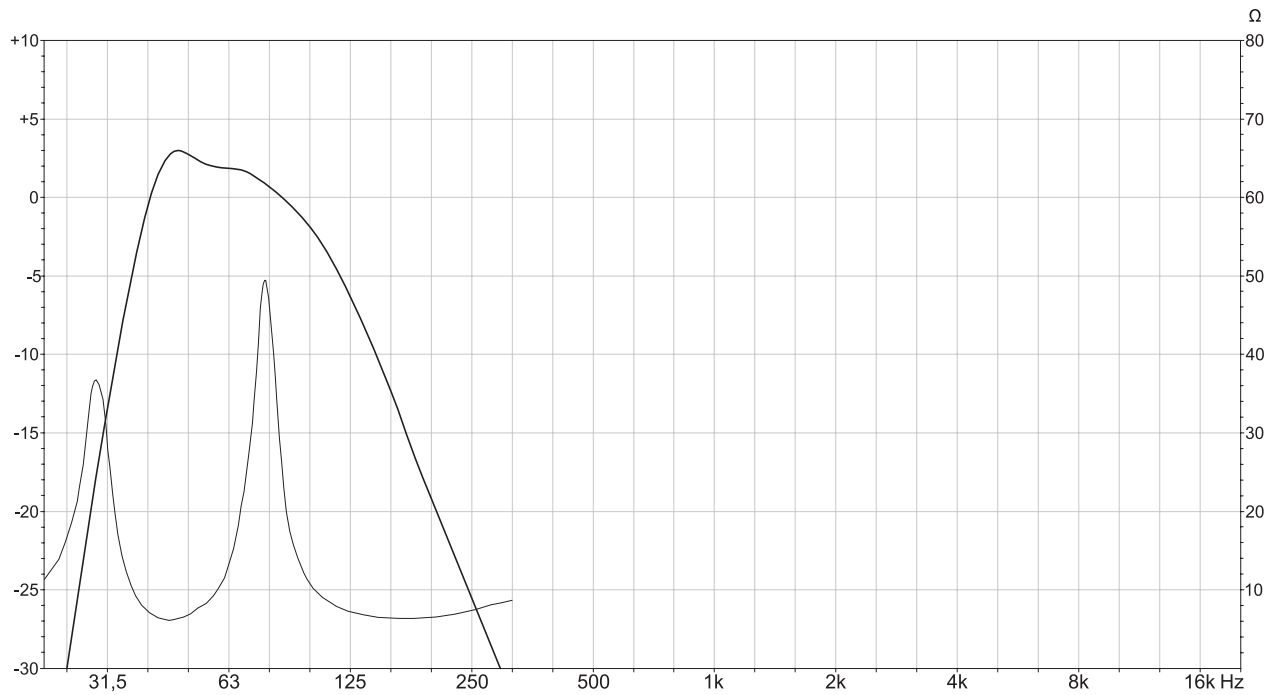
Defines the nominal horizontal by vertical dispersion of the loudspeaker. Angles of nominal dispersion are defined at the points where the average SPL dropped down by -6dB compared to on axis measurement. This affects mainly the mid-high frequency range above 1 kHz. HF-horns are rotatable or/and exchangeable.
Low frequency dispersion mainly depends on the size of the sound source (loudspeaker) except in dedicated "cardioid products".

SPLmax / 1 m:

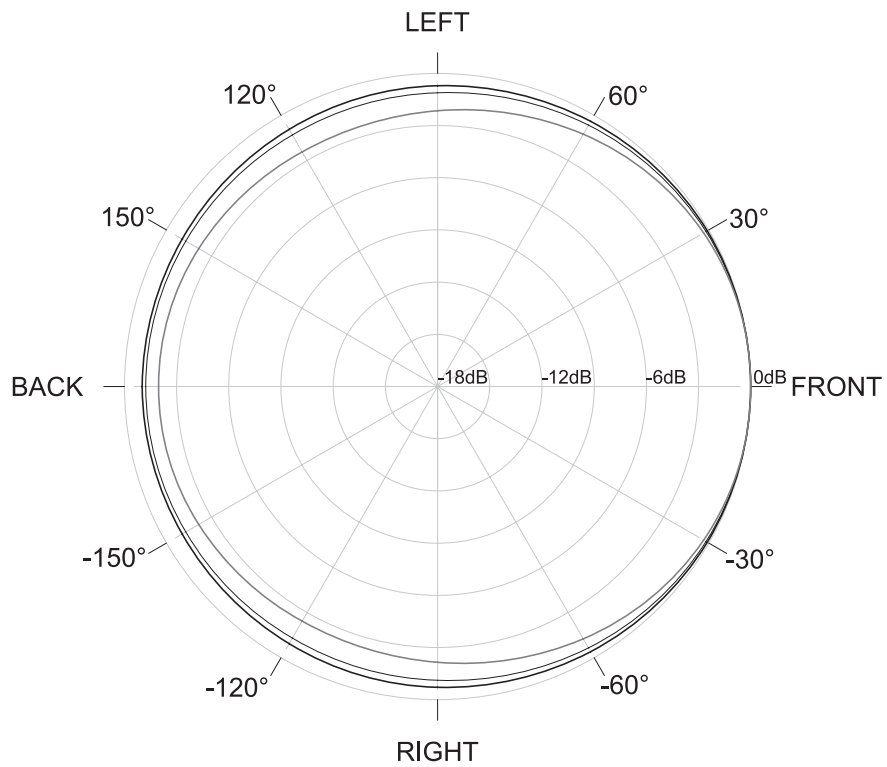
Sound pressure level the loudspeaker will generate at 1 m distance to its frontgrille when applying 185 ms burst signals within the frequency bandwidth slightly increasing them until 10% of total harmonic distortion will be reached (-> peak value. RMS value will be 3 dB lower). Without distortion limits and with bandlimited pinknoise with Crest factor 4, the peak SPLmax levels can be up to 10 dB higher at several frequencies.

Frequency response WITH PRESET

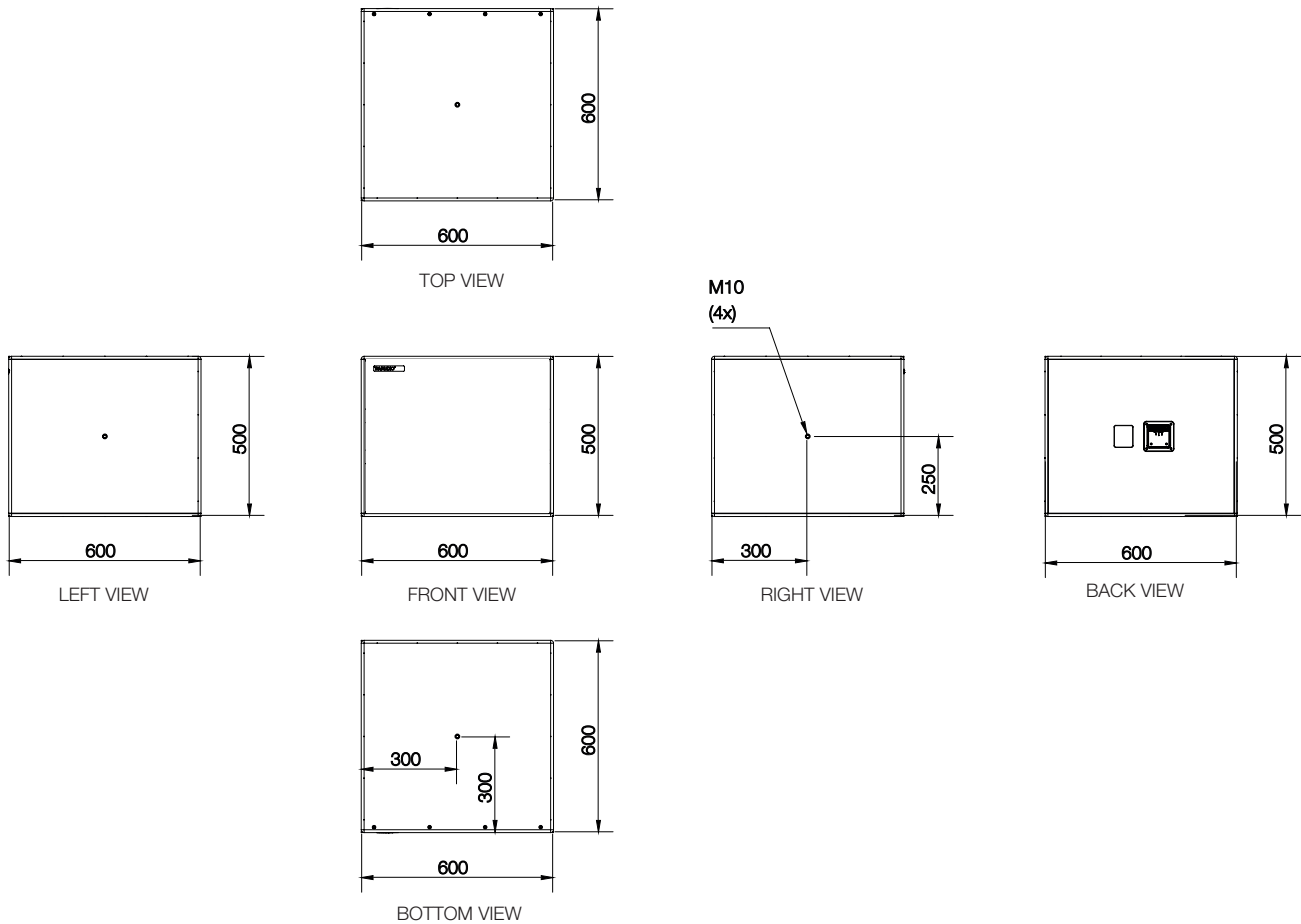
IMPEDANCE



Polar Pattern 40Hz | 63Hz | 100Hz



Technical Drawing



Tender specification

The loudspeaker shall be of a compact sized subbass type design, able to be used singly, in multiple ground-stacked or flown configurations. Its transducer shall consist of one long excursion 18-inch cone driver, and be rated to handle 2400W program and 4800W peak.

The loudspeaker performance specifications shall be:

Operating frequency range shall be 34Hz to 110Hz, and up to 200Hz, depending on the preset in use. Nominal impedance shall be 8Ohms. Nominal sensitivity SPL shall be 96dB at 1W/1m. Maximum peak SPL shall be 132dB at 1m. Beamwidth shall be 360 degrees for a single unit, whilst directional characteristics can be achieved with multiple cabinets.

The loudspeaker shall only be operated with a DSP amplifier, using dedicated presets, which all include equalization, phase and limiting functions.

Connections shall be done with screw terminals as standard, for additional environment resistance a sealing PG type gland coverplate can be used.

As alternative, a coverplate with speakON™ NLT4 connectors, the loudspeaker being connected to Pin2+/-, shall be available too.

Through all options the loudspeaker shall be linkable.

All components shall be mounted in a internally braced rectangular enclosure, featuring a symmetrically vented port design and being constructed of premium birch plywood with a black (as standard, other RAL colors as option) structured finish. For discreet appearance, no handles or rubber feet shall be fitted.

M10 threads on top, bottom and on both sides shall serve for mounting additional rigging parts. Rigging equipment shall be available, allowing the loudspeaker to be flown in any possible configuration.

The front protective grille shall be made of a perforated, non reflective powder coated and durable steel, backed by flame retardant, hydrophobic and acoustically transparent black fabric.

Dimensions shall be 600mm (23.62") in width, 500mm (19.92") in height, 600mm (23.62") in depth.

Weight shall be 34.0kg (74.95lbs).

The loudspeaker shall be the TWAUDIO B17i.

Manufacturer:
TWAUDIO GmbH
Osterholzallee 140-1
71636 Ludwigsburg, Germany
www.twaudio.com